

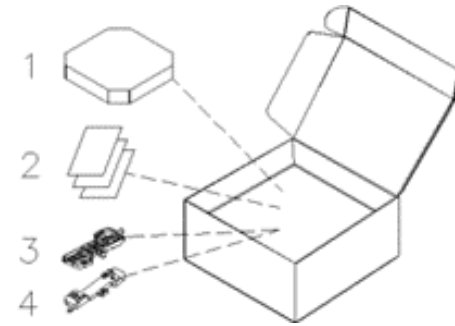
Alcatel-Lucent Enterprise OmniAccess Stella AP1201 Series Installation Guide

060569-10 Rev. A



Package Contents

Figure 1: Product Packing



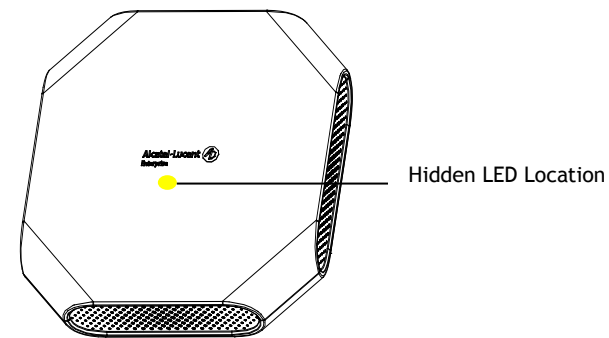
Item	Name	Qty	Unit
1	Access Point	1	Pcs
2	Quick Start Guide	1	Pcs
	Installation Guide	1	Pcs
	User Guide Info Card	1	Pcs
	Regulatory Compliance and Safety Information	1	Pcs
	3	Mounting Bracket (15/16")	1
4	Mounting Bracket (9/16")	1	Pcs

Inform your ALE sales representative of incorrect, missing, or damaged parts. If possible, retain the carton, including the original packing materials. Use these materials to repack and return the unit to the supplier if needed. Additional mounting kits for use with the OmniAccess Stella AP1201 series access points are sold separately. Contact your ALE sales representative for details.

Hardware Overview

The following sections outline the hardware components of the OAW-AP1201 access point.

Figure 2 OAW-AP1201 Front View



LED

The OAW-AP1201 access point is equipped with hidden LED display that indicates different status with different color. For the details of the LED status, please refer to the Quick Start Guide.

Figure 3: OAW-AP1201 Back View

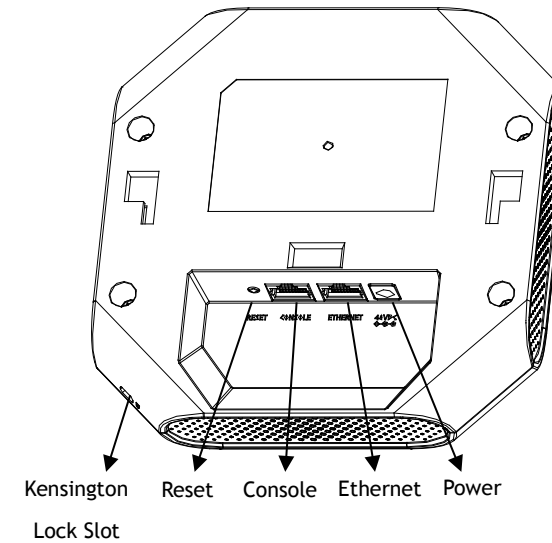


Table 1

Interface	Description
Ethernet	1x 10/100/1000BASE-T autosensing (RJ-45) port, Power over Ethernet (PoE).
Console	1x Management console port (RJ-45) Note : Currently for use by Service & Support only.
Power	DC 48V power socket. Optional AC-DC adapter kit (sold separately) could be used to power the AP.
Kensington Lock Slot	A Kensington security slot for additional security.
Reset	Factory reset. Press reset button for 5s, AP LEDs will quickly flash for 3s, then AP will restart and restore factory configurations.

Figure 4 Gigabit Ethernet Port Pin-Out

Table 2: Ethernet Port Pinout

Connector	Pin	Signal Name	GE	FE	PoE
	1	RJ45_DA+	BI_DA+	RX+	PoE-
	2	RJ45_DA-	BI_DA-	RX-	PoE-
	3	RJ45_DB+	BI_DB+	TX+	PoE+
	4	RJ45_DC+	BI_DC+	Spare	PoE+
	5	RJ45_DC-	BI_DC-	Spare	PoE+
	6	RJ45_DB-	BI_DB-	TX-	PoE+
	7	RJ45_DD+	BI_DD+	Spare	PoE-
	8	RJ45_DD-	BI_DD-	Spare	PoE-

Table 3: Console Port Pinout

Connector	Pin	Signal Name	Function	
	3	TXD	Transmit	
	4	GND	Ground	
	5	GND	Ground	
	6	RXD	Receive	
	Pins not listed are not connected.			

Note: The serial console port allows you to connect the AP to a serial terminal or a laptop for direct local management. This port is an RJ-45 female connector with the pinouts described in Table 3. Currently for use by Service & Support only.

Power

The OAW-AP1201 access point supports direct DC power adapter (48V DC nominal, sold separately) and Power over Ethernet (PoE). The DC power connector port is located on the back of the device, as shown in Figure 3. The PoE allows the Ethernet port to draw power from an IEEE 802.3af compliant source.

When both power source are available, DC power takes priority over PoE. OmniAccess Stella AP supports the power adapter provided by ALE ONLY.

Before You Begin

Refer to the sections below before beginning the installation process.

Pre-Installation Checklist

Before installing your OAW-AP1201 access point, be sure that you have the following items:

- Gigabit Ethernet cable of required length, CAT5 or CAT6 is preferred.
- One of the following power sources:
 - IEEE 802.3af compliant Power over Ethernet (PoE) source.
 - ALE AC-DC adapter (sold separately), Output voltage DC 48V, output current $\geq 0.3A$ is recommended.
- A PC terminal or a laptop

Identifying Specific Installation Locations

You can mount the OAW-AP1201 on a ceiling rail (using the included bracket) or on a wall (using the wall mounting bracket, sold separately). You should first determine the location of the installation. The installation position is located at the center of the required coverage area and should be free from obstructions or obvious sources of interference.

- Minimize the number of obstructions (such as walls) between the AP and user terminals.
- Electronic equipment or devices (such as microwave ovens) which may produce radio frequency noise should be away from the installation position of the AP.

It is strictly prohibited to install around stagnant water, water seepage, leakage or condensation. Avoid cable condensation or water seepage along the cables connecting to the AP.

enterprise.alcatel-lucent.com
Alcatel-Lucent and the Alcatel-Lucent Enterprise logo are trademarks of Alcatel-Lucent. To view other trademarks used by affiliated companies of ALE Holding, visit: enterprise.alcatel-lucent.com/trademarks. All other trademarks are the property of their respective owners. The information presented is subject to ALE without notice. Neither ALE Holding nor any of its affiliates assumes any responsibility for inaccuracies contained herein. (2018)

Summary of Installation Steps

- WLAN Planning. Usually, a comprehensive site survey is required before installation, such as installation location, brackets, cables, power source, etc.
- Unpack the AP box and check all contents
- Install the AP bracket on ceiling or wall
- Installing the AP
- Connecting required cables
- Power connection
- Verifying post-installation connectivity
- AP provisioning

AP is a radio transmission device and subject to governmental regulation. Network administrators must comply with local regulations.

Installing the Access Point

Using Ceiling Mounting Bracket

Make sure the AP fits securely on the ceiling tile rail when hanging the device from the ceiling, poor installation could cause it to fall onto people or equipment.

The OAW-AP1201 has been shipped with two mounting brackets for 9/16" and 15/16" ceiling rails. Following is the general sequence to install the OAW-AP1201 with the mounting bracket.

- Pull the cables through a prepared hole in the ceiling tile near where the AP will be placed.
- Place the bracket against the back of the AP, insert by aligning the slot on the backside with the hanging feet on both sides of the bracket (see Figure 5).
- Push the bracket along the direction of the arrow until it locks in the slot (see Figure 5).
- Connect the cable to the port on the AP.
- Hold the AP next to the ceiling tile rail with the ceiling tile rail mounting slots at approximately a 20-degree angle to the ceiling tile rail (see Figure 6). Make sure that any cable slack is above the ceiling tile.
- Pushing toward the ceiling tile, rotate the AP clockwise until the device clicks into place on the ceiling tile rail (see Figure 6).

Figure 5: Attaching Ceiling Mounting Bracket

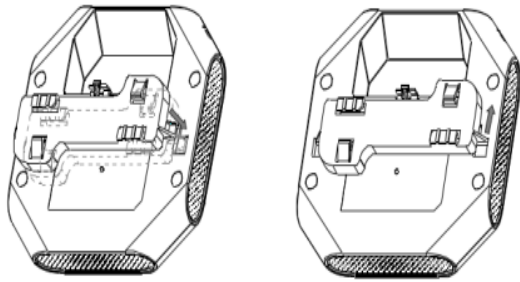
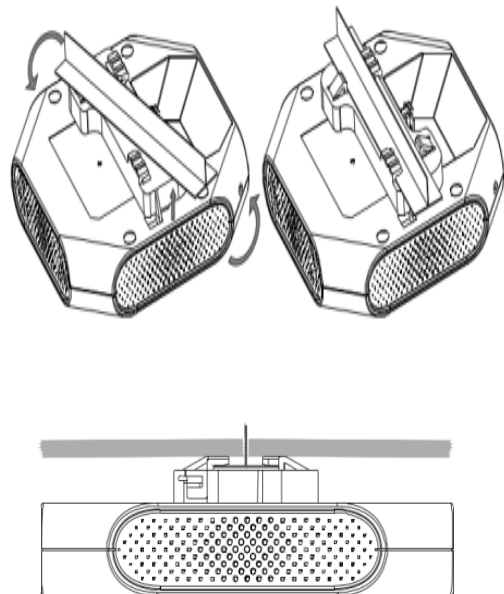


Figure 6: Mounting AP



Verifying Post-Installation Connectivity

The LED display on the access point can be used to verify that the AP is receiving power and initializing successfully.

Product Specifications

OAW-AP1201 Dimensions/Weight

- Single AP excluding packing box and accessories:
 - 15.5 cm (W) x 15.5 cm(H) x 2.8 cm (D)
 - 6.10 in (W) x 6.10 in (H) x 1.10 in (D)
 - 318g/0.701lb

Environmental

- Operating:
 - Temperature: 0°C to +45°C (+32°F to +113°F)
 - Humidity: 5% to 95% non-condensing
- Storage and transportation:
 - Temperature: -40°C to +70°C (-40°F to +158°F)

For additional specifications on this product, please refer to the Datasheet.

Contacting Alcatel-Lucent Enterprise

Website Support	
Main Site	http://enterprise.alcatel-lucent.com
Support Site	https://businessportal2.alcatel-lucent.com
Telephone Support	
North America	1-800-995-2696
Latin America	1-877-919-9526
Europe	+800 00200100 (Toll Free) or +1(650)385-2193
Asia Pacific	+65 6240 8484
Other Region	1-818-878-4507